

biknd

wheel bag



biknd
travel case

BIKND WARRANTY

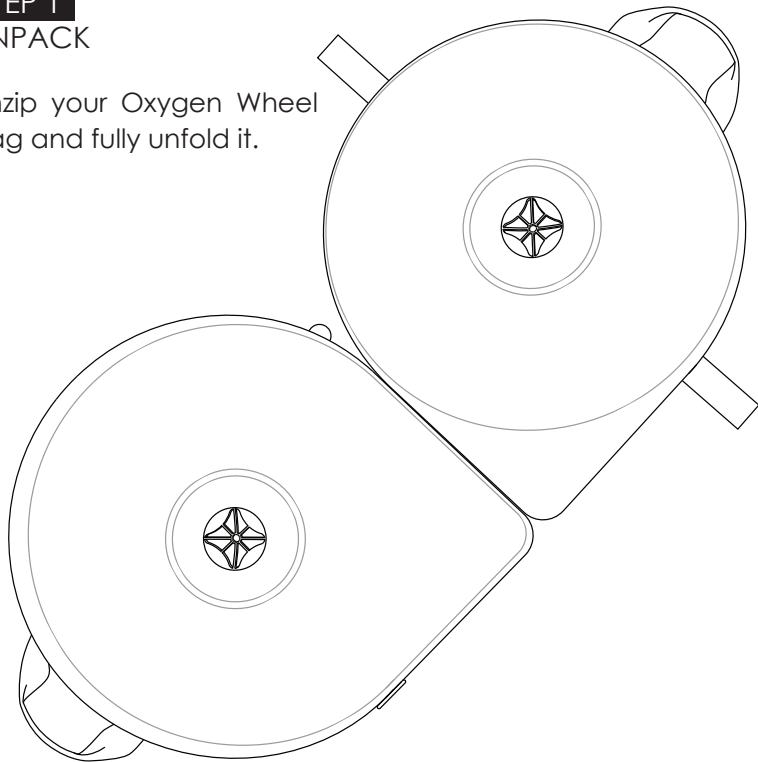
All BIKND products are guaranteed to the original owner against defects in materials and workmanship for one year from date of purchase. For complete warranty policy details, please visit biknd.com

DISCLAIMER

Due to the unpredictable nature of luggage handling, BIKND is not accountable for damage to your bag and its contents during travel. To avoid damage, we strongly recommend following the packing instructions.

STEP 1
UNPACK

Unzip your Oxygen Wheel bag and fully unfold it.

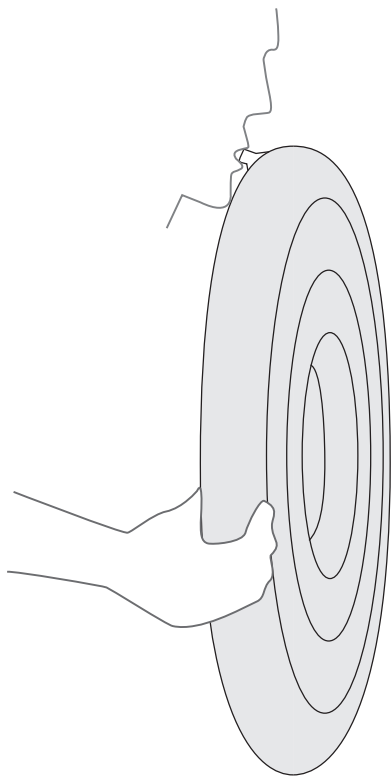


STEP 2

INFLATE AIR BAGS

Locate the two inflation valves located on either inflatable air bag. Inflate by mouth or with a suitable pump. **DO NOT OVER INFLATE.** Press the valve cap firmly to close.

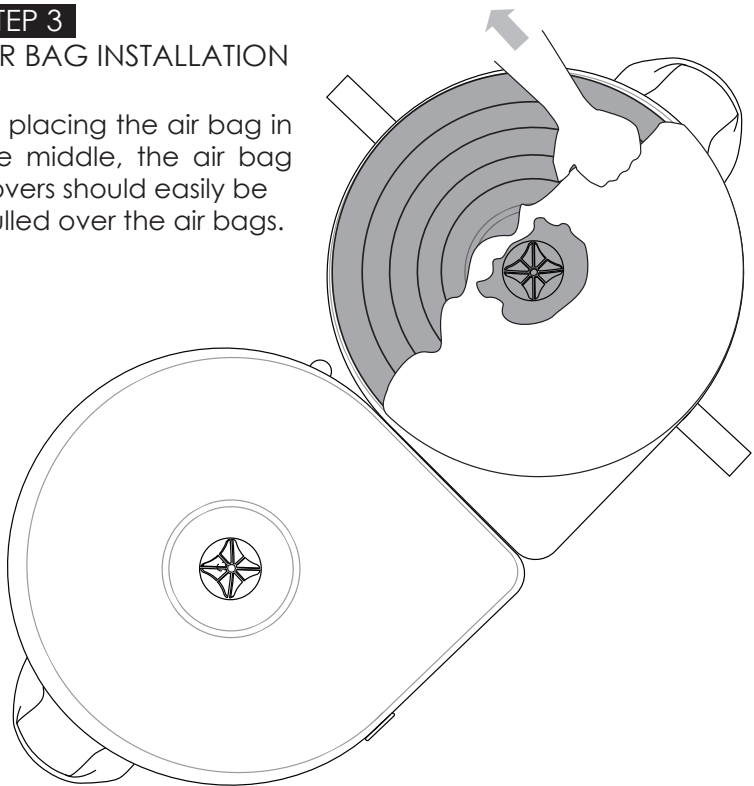
Stow your pump in the provided pocket.



STEP 3

AIR BAG INSTALLATION

By placing the air bag in the middle, the air bag covers should easily be pulled over the air bags.



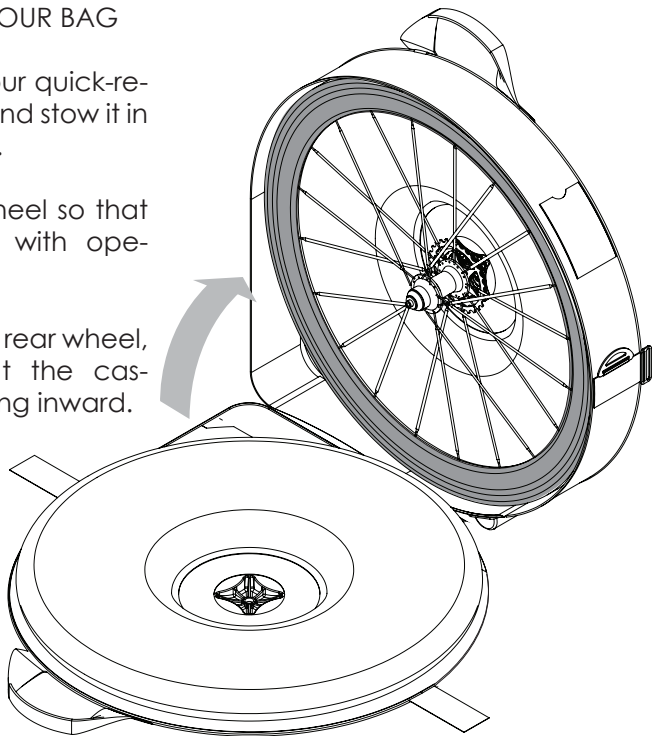
STEP 4

STOW THE WHEELS and CLOSING YOUR BAG

Remove your quick-release unit and stow it in the pocket.

Arrange wheel so that hubs align with openings.

If placing a rear wheel, ensure that the cassette is facing inward.



STEP 5

ALIGN THE BAGS – TWO OR MORE

Once your wheel bags are packed and ready to go, stand them together. Secure Velcro belt through the tri bar slider on both sides.

For easy transportation when carrying two bags, you can change the orientation of the shoulder strap. Release one of the shoulder strap hooks and reattach onto the opposite side of the other wheel bag.

Stow extra shoulder strap in provided pocket.

